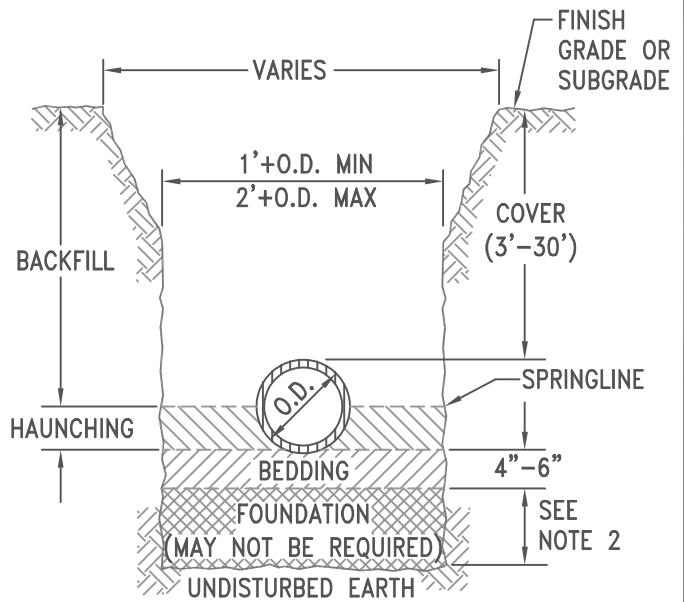


**FLEXIBLE PIPE
TRENCH DETAIL**

N.T.S.



**RIGID PIPE
TRENCH DETAIL**


N.T.S.

TABLE 1: APPROVED TRENCH MATERIALS AND GRADATION REQUIREMENTS

CRUSHED STONE (FOUNDATION, BEDDING, HAUNCHING & SHADING)		SAND (BEDDING, HAUNCHING & SHADING)		EXCAVATED NATIVE MATERIAL (BACKFILL)		SELECT IMPORT MATERIAL (BACKFILL & FOUNDATION)	
NOM. SIZE	% PASSING	NOM. SIZE	% PASSING	NOM. SIZE	% PASSING	NOM. SIZE	% PASSING
1"	100	1"	100	6"	100	3"	100
3/4"	90-100	#4	60-100	ALSO SEE SUBSECTION 3.1.2(C)		3/4"	60-100
3/8"	20-55	#200	0-10		#8	35-80	
#4	0-10	MAX. P.I.=5			SUM OF #200 + P.I. ≤ 25		
#8	0-5	MAX. L.L.=30				ALSO SEE SUBSECTION 3.1.2(D)	
6.0 ≤ pH ≤ 12.0		6.0 ≤ pH ≤ 12.0					
ALSO SEE SUBSECTION 3.1.2(A)		ALSO SEE SUBSECTION 3.1.2(B)					

NOTES:

- FOR SEWER LINES GREATER THAN 16 INCH DIAMETER OR COVER DEPTHS NOT CONFORMING TO THE STANDARD TRENCH DETAILS, SEE PLANS FOR MODIFIED TRENCH DETAILS.
- FOUNDATION IS REQUIRED FOR OVEREXCAVATION SUCH AS FOR ROCK OR UNSUITABLE MATERIALS. SEE SUBSECTION 3.1.3(B) FOR MORE INFORMATION.
- IN CASES WHERE GROUNDWATER IS ENCOUNTERED, INSTALLATION OF AN APPROVED GEOTEXTILE FABRIC ENCLOSING CRUSHED STONE SHALL BE REQUIRED FOR STABILIZATION.

ISSUED:	STANDARD DETAIL		DETAIL NO.
8/92			RWRD 104
REVISED:			
02/21			SHEET 1 OF 1
TYPICAL TRENCH FOR GRAVITY SEWER LINES			